



Installation Instructions
P/N 1101 Hood Bra
1997-2006 TJ and LJ Wrangler

IMPORTANT - This hood bra is designed to be very tight on the front of the vehicle. If it is not tight enough it will flap at higher speeds. PLACE IN THE SUN AND ALLOW TO WARM UP BEFORE ATTEMPTING INSTALLATION. 70+ degrees is recommended.

Installation:

- Step 1:** Ensure the hood of the Jeep is clean. Only install hood bra on dry vehicle.
- Step 2:** Pull the Hood Bra over the front edge of the hood and tuck the corners in.
- Step 3:** Fasten all the hooks as shown in Figure 1.
- Step 4:** There are two straps on the driver corner. One is for vehicles without the under hood insulation and one is with. See Figure 2 and 3. Clip the strap that is unused.
- Step 5:** Loop the footman loop strap around footman loop and through buckle as shown in Figure 4. Secure excess down to velcro.
- Step 6:** The Hood Bra may require adjustments after it was been on the vehicle for a few days.

Figure 1

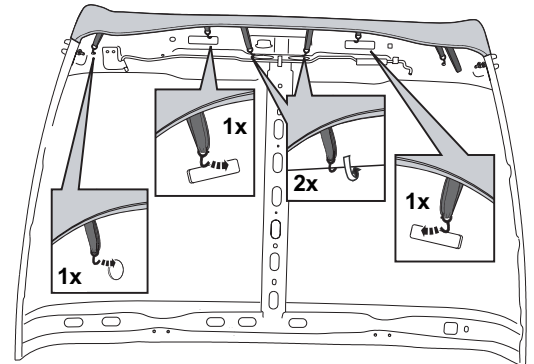


Figure 2
without insulation

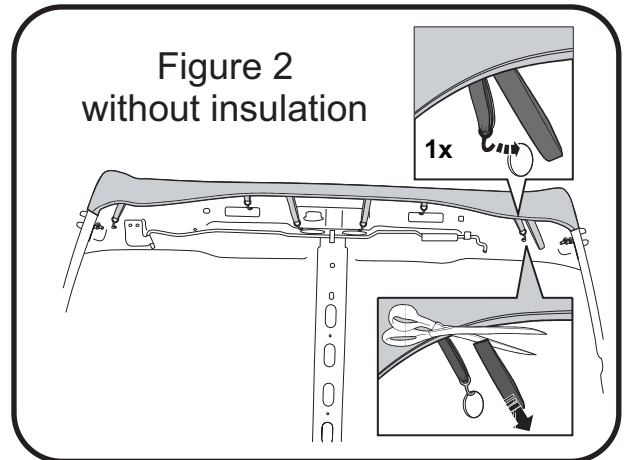


Figure 3
with insulation

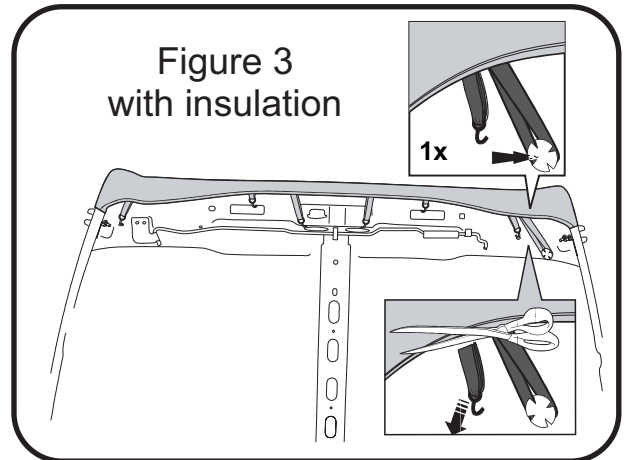
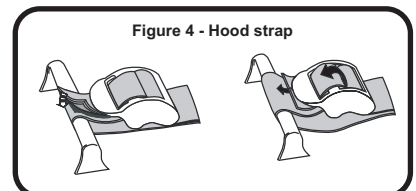


Figure 4 - Hood strap



WARNING - REMOVE HOOD BRA BEFORE WASHING VEHICLE. IF THIS COVER BECOMES DAMP OR WET, IT MUST BE REMOVED AND ALLOWED TO DRY BEFORE REINSTALLATION. FAILING TO REMOVE A WET COVER AND ALLOWING IT TO DRY IN PLACE ON THE VEHICLE COULD RESULT IN PAINT DAMAGE.

