



# Billet Gas Door

## Installation Instructions

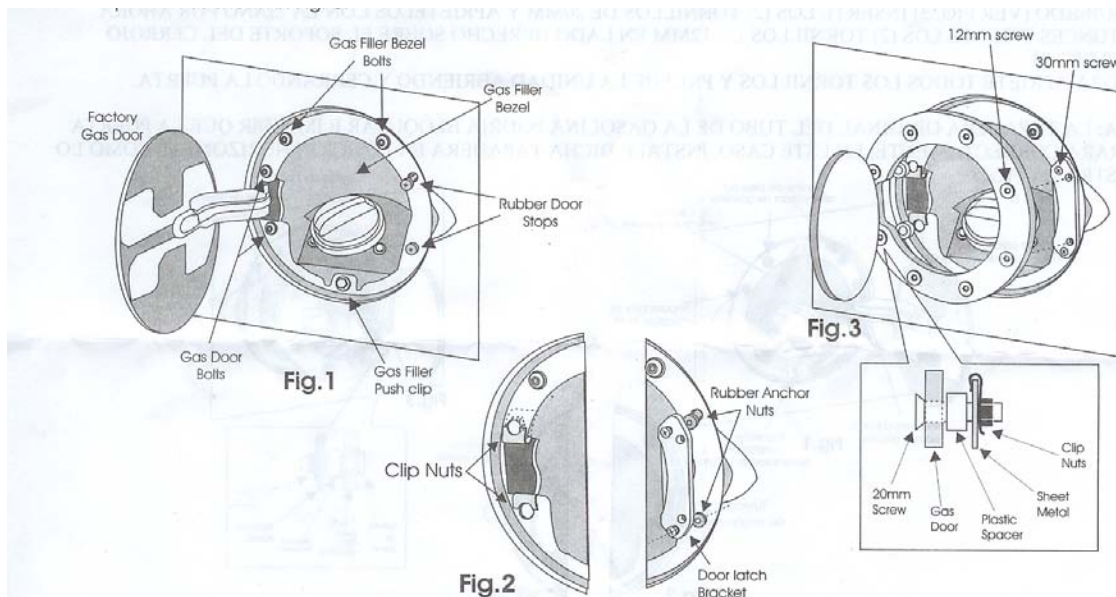
Part #	Application	Parts List
75012, 87012 & 85012	1999-2006 Silverado (except Stepside) 2000 and Up Chevy Suburban, Tahoe 1999-2006 GMC Sierra (except Stepside) 2000 and Up GMC Yukon XL, Yukon 2001 and Up Chevy Avalanche	Gas Door & latch assembly 2ea. Plastic Spacers & clip nuts 2 ea M6x20mm Flat cap Allen Screw 2 ea M6x12mm Flat cap Allen Screw 2 ea M4x30mm machine screws 2ea Plastic spacers & clip nuts 2 ea rubber anchor nuts

**Note:** Non-locking version (75012) requires modification to inside body panel of truck bed for 2006 model Silverado/Sierra.

### Tools Needed:

4mm Allen wrench -T-30 Torx driver - Phillips screw driver - Flat Head screw driver.

- 1) Remove parts from the package and check against parts list- Note: Some parts may be preinstalled & require removal.
- 2) Read through instruction list and make sure you understand before proceeding.
- 3) Open factory gas door and remove the (2) factory bolts (left side) and (2) bolts (top side) that hold the plastic filler bezel to the truck (see fig 1). Push bezel inward to allow clearance for gas door & bracket removal. (Save filler bezel bolts for reinstallation at step 6).
- 4) Once the two factory gas door bolts have been removed, the factory gas door can be removed. Also remove the two (2) rubber door stops (twist & pull) as shown in figure 1.
- 5) Slide the clip nuts (2) over the two holes on the left side where the factory gas door was installed (see fig 2). Check hole alignment and verify the nut side of the clip nut is to the back side of the sheet metal skirt.
- 6) Reinstall gas filler bezel to factory position as mentioned in step 3.
- 7) Prior to vehicle installation, attach the door latch bracket to the new billet gas door and check the latch and door are flush in the closed position. If needed, adjust the latch with the two Phillips screws.
- 8) Insert the rubber anchor nuts into the holes where the factory rubber door stops were removed. Now place the door latch bracket over the rubber anchor nuts and insert the (2) 30mm machine screws into the aligned holes (see fig 2).
- 9) Slide the (2) plastic spacers between the Billet gas door and the clip nuts on the left side skirt (see fig 3), insert the (2) 20mm flat cap screws and hand tighten. Next, insert the (2) 12mm flat cap screws on the right side into the latch bracket (see fig 3).
- 10) Check final fit and alignment, and tighten all screws. Test to insure free movement of the door. If the original factory gas cap and new door come in contact, or the door closure is slightly blocked, reinstall the factory cap into a horizontal position.



This product is guaranteed to be free of defects in materials and workmanship for a period of 12 months  
Rampage Products 9225 Stellar Ct. #C, Corona Ca., 92883  
Made In China