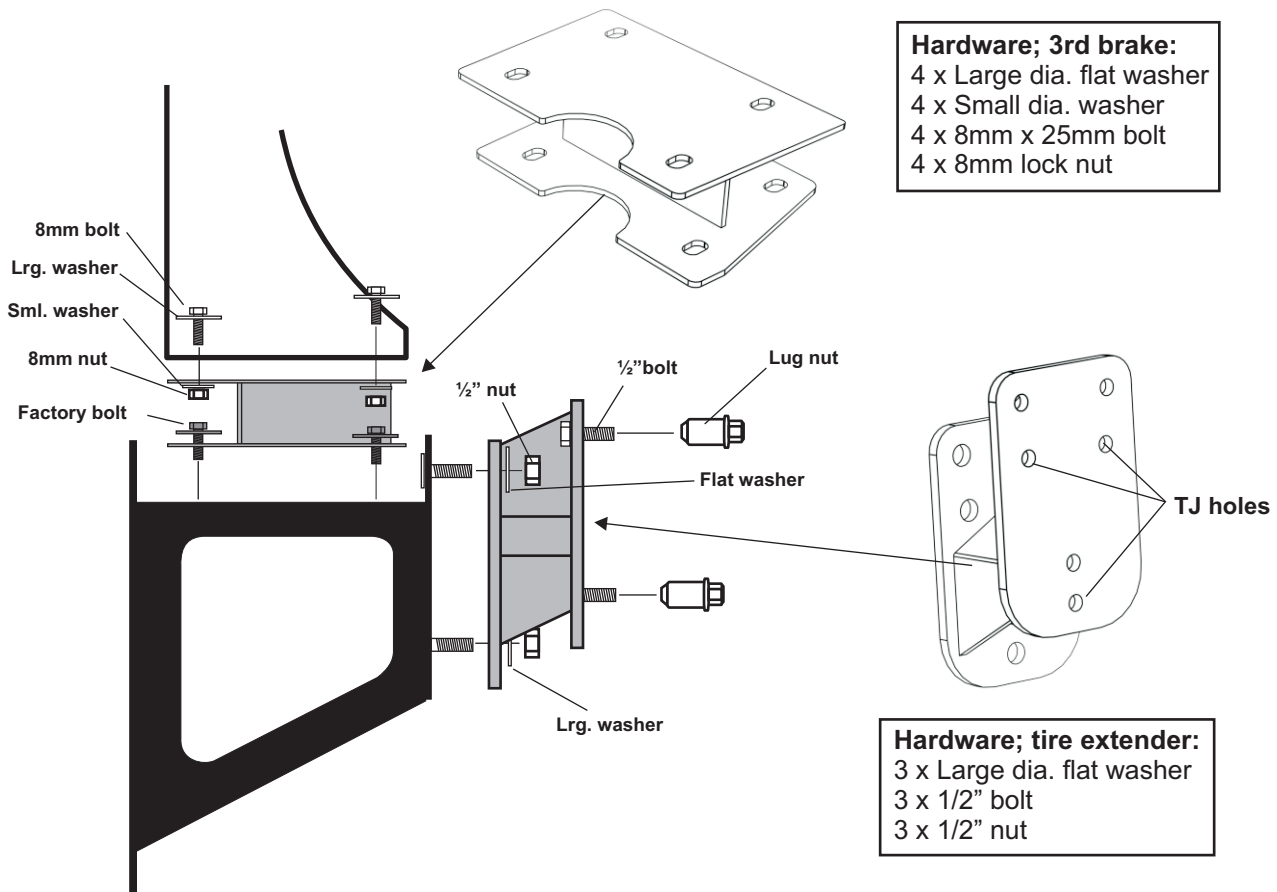




86616 Jeep Wrangler TJ/YJ Spare Tire Extender kit



Note: This product is not recommended for tires over 33"

Caution: Do not exceed factory recommendations for load on the Tailgate.

3rd Brake light extension installation:

- 1) Remove spare tire from factory mount.
- 2) Remove 3rd brake light from top of spare tire mount. Unhook the wires from the light assembly to allow extra wire length.
- 3) Install extension between tire mount and brake housing. Note direction of installation where half circle allows clearance for wire.
- 4) Use included hardware to secure as shown in above illustration.

Spare Tire extension installation:

- 1) Remove spare tire from factory mount.
- 2) Install the included bolts through the holes in the outer steel plate as shown above.
- 3) install extension onto the factory lug bolts on the spare tire carrier using the nuts and washers included.
- 4) Re-install spare onto extension and secure using the factory lug nuts.