



# Overhead Sound Bar Installation Instructions

## 3 way Overhead Sound Bar

### This Component is composed of:

- (2) Bass Drivers
  - (2) High Compliance Mid Range
  - (2) Dome Tweeter
- With Crossover Filter Network

And is designed to compete against wind, engine rumble and noise in order to meet the demands of in-car music reproduction.

### Specifications:

- System:** 3 way component system  
**Impedance:** 4 ohm  
**Frequency:** 50 - 22,000hz  
**Sensitivity:** 92 dB/m  
**Power:** 200watts Max  
**Woofers:** 6" Bass Driver, with special formulated mica cone and butyl rubber surround, 1" heat resistant voice coil, 10oz magnet.  
**Midrange:** 2-1/2" High Compliance Midrange  
**Tweeter:** 1" Voice coil with neodymium magnet and ferrofluid for superior dispersion and higher efficiency

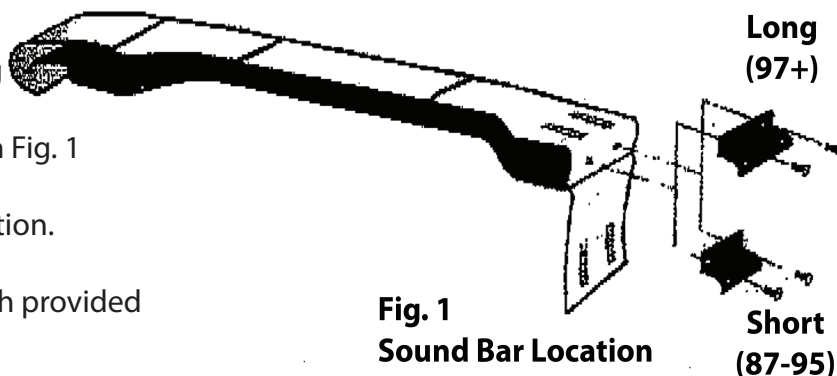
### Accessories:

- (2) Long Mounting Bracket
  - (2) Short Mountng Bracket
  - (4) 1/4"-20 x 5/8" Screw
  - (4) #12 x 3/4" Sheet Metal Screw
  - (4) 1/4" Flat Washer
  - (4) 1/4" Lock Washer
- External Wire Harness Assembly

**NOTE:** The short bracket has 2 sets of holes to mount the the Sound Bar. These allow the height to be adjusted

### Installation Process

1. Secure the suitable mounting bracket for your year with the 1/4"-20 x 5/8" screw as shown in Fig. 1
2. Position bar into desired location.
3. Secure bar to Factory bar with provided #12 x 3/4" Sheet Metal Screws



**Fig. 1**  
**Sound Bar Location**