



Overhead Sound Bar Installation Instructions

3 way Overhead Sound Bar

This Component is composed of:

- (2) Bass Drivers
- (2) High Compliance Mid Range
- (2) Dome Tweeter
- With Crossover Filter Network

And is designed to compete against wind, engine rumble and noise in order to meet the demands of in-car music reproduction.

Specifications:

- System:** 3 way component system
- Impedance:** 4 ohm
- Frequency:** 50 - 22,000hz
- Sensitivity:** 92 dB/m
- Power:** 200watts Max
- Woofers:** 6" Bass Driver, with special formulated mica cone and butyl rubber surround, 1" heat resistant voice coil, 10oz magnet.
- Midrange:** 2-1/2" High Compliance Midrange
- Tweeter:** 1" Voice coil with neodymium magnet and ferrofluid for superior dispersion and higher efficiency

Accessories:

- (2) Long Mounting Bracket
- (2) Short Mountng Bracket
- (4) 1/4"-20 x 5/8" Screw
- (4) #12 x 3/4" Sheet Metal Screw
- (4) 1/4" Flat Washer
- (4) 1/4" Lock Washer
- External Wire Harness Assembly

NOTE: The short bracket has 2 sets of holes to mount the the Sound Bar. These allow the height to be adjusted

Installation Process

1. Secure the suitable mounting bracket for your year with the 1/4"-20 x 5/8" screw as shown in Fig. 1
2. Position bar into desired location.
3. Secure bar to Factory bar with provided #12 x 3/4" Sheet Metal Screws

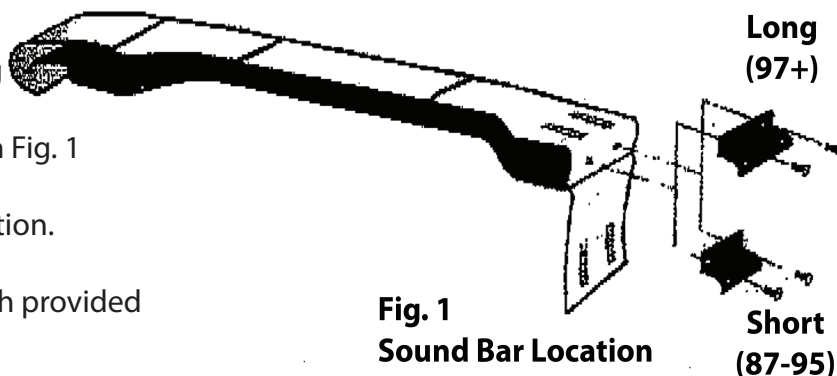


Fig. 1
Sound Bar Location