



Installation Instructions

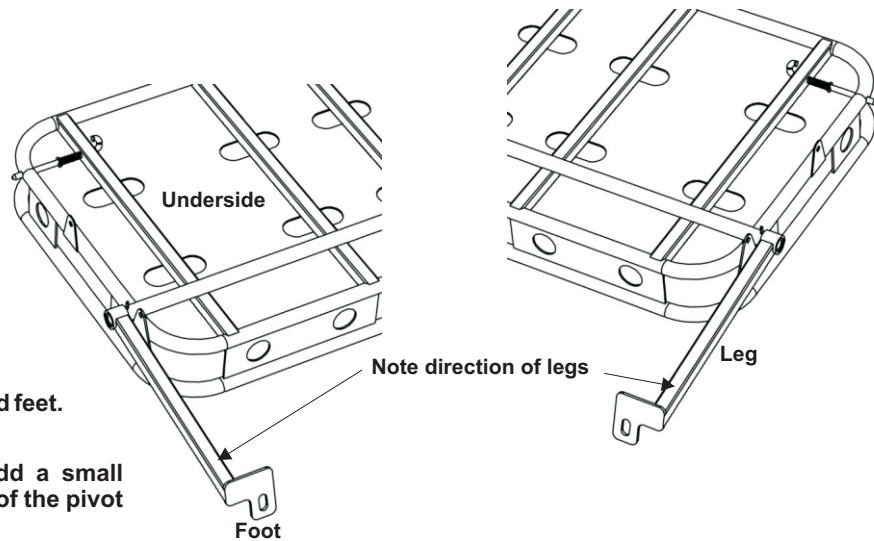
Rampage Sport Rack 86617

Included:
Sport Rack
1 ea. L and R leg.
1 ea. L and R roll bar mount
2 x roll bar insert
6 x rubber pads
4 x 10mm balls and nuts
2 x 8mm bolts

Please read through all instructions before installation to help simplify the process.

CAUTION: The Sport Rack is rated for 75 lbs max and should not be used for carrying passengers. Always tie in items carried in the rack to ensure safety.

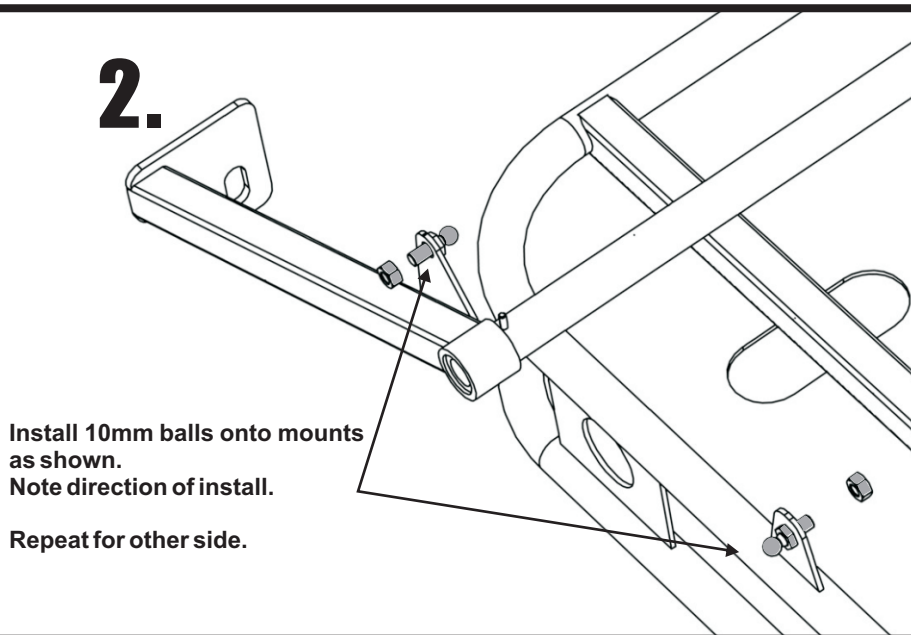
1.



Install legs onto rack as shown.
Note the direction of the legs and feet.

NOTE: It is a good idea to add a small amount of grease to the inside of the pivot to aid in its operation.

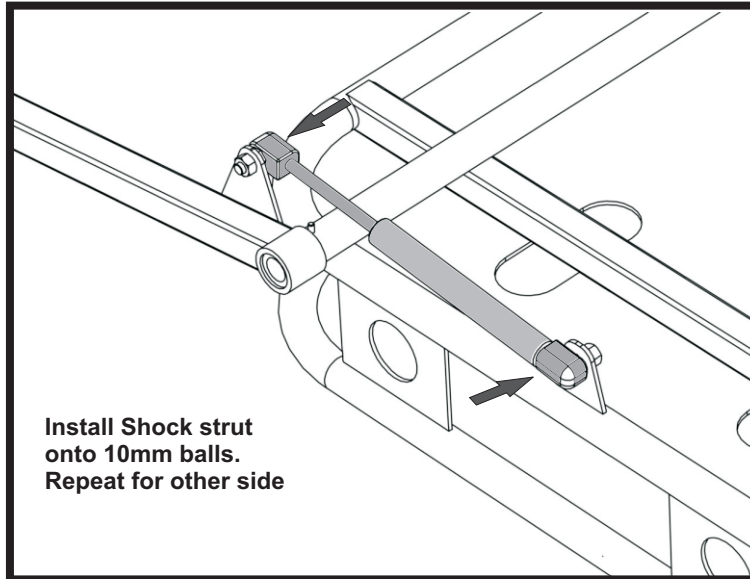
2.



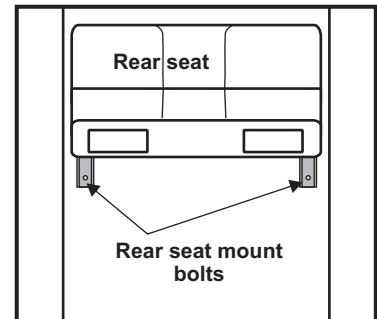
Install 10mm balls onto mounts
as shown.
Note direction of install.

Repeat for other side.

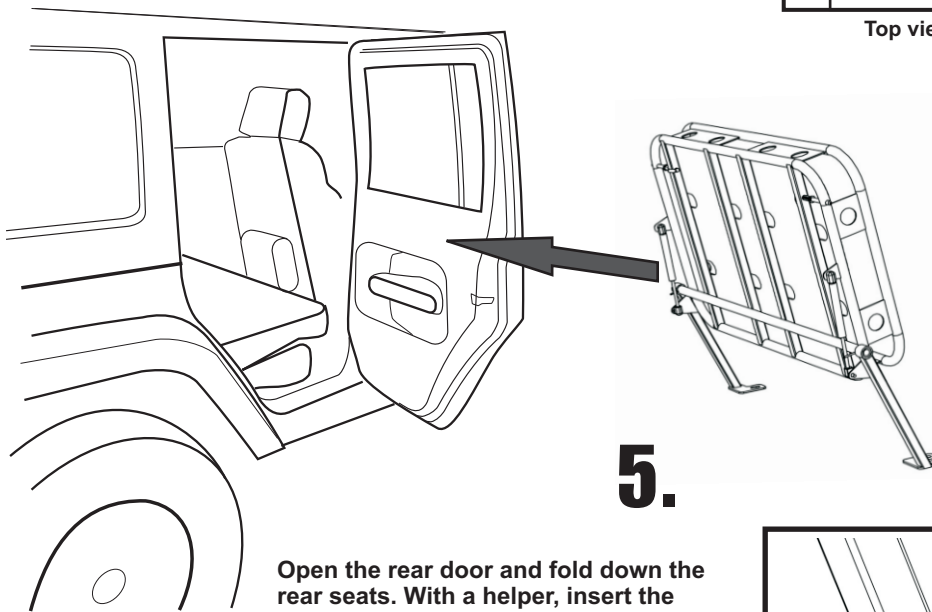
3.



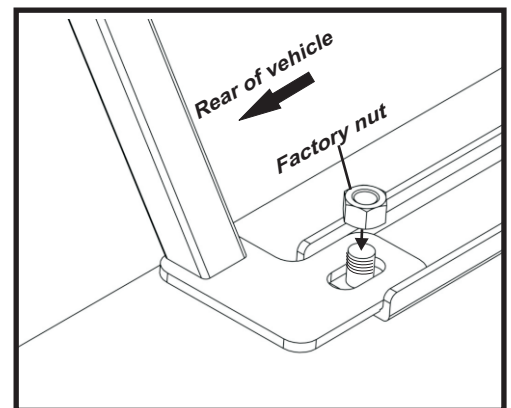
4. Locate and remove the nuts from the studs on the rear seat mounts as shown to the right.



Top view of vehicle

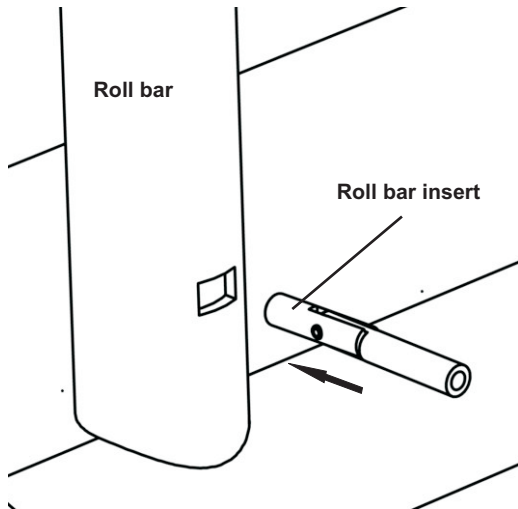


Open the rear door and fold down the rear seats. With a helper, insert the assembled rack as shown through the rear door and onto the studs in the floor. Re-install the factory nuts to secure.



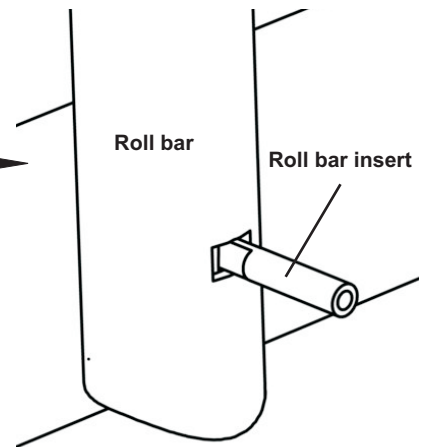
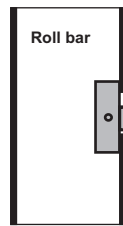
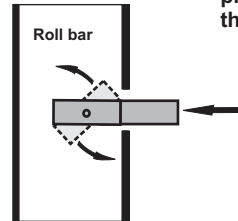
NOTE: It may be necessary to adjust the feet to get a correct fit for the latches on the roll bar mounts in the next steps.

6.

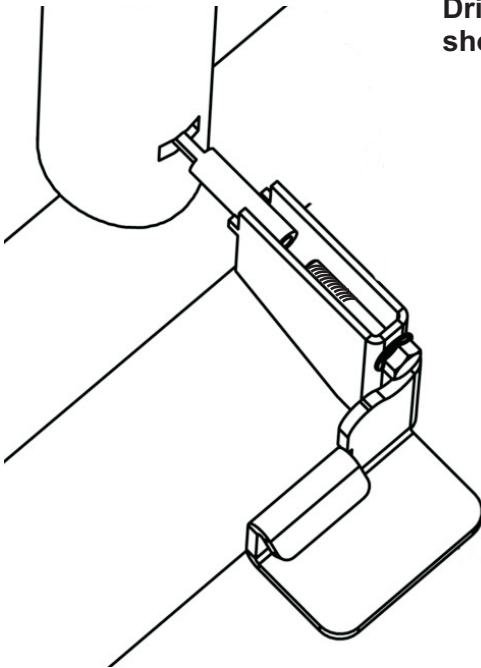


Installing the roll bar latch mounts:

The roll bar inserts are designed with a heavy side so the end pivot will rotate on its own. Insert them in past the end of the pivot and let the end rotate down, then pull the end against the inside of the roll bar.

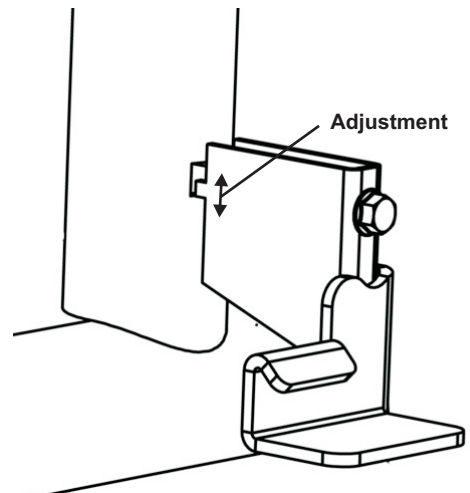


Driver side shown here



Install the roll bar latch mount onto the roll bar insert as shown above.

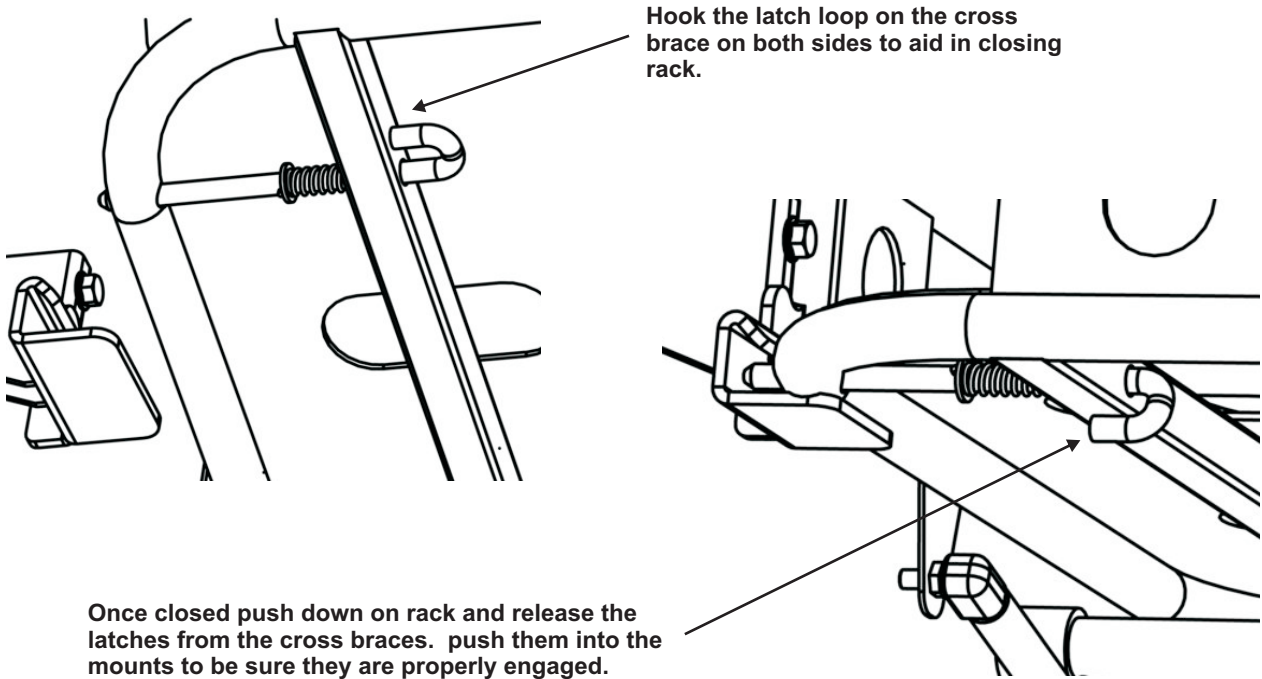
Be sure the tabs on the roll bar latch mount are inserted into the hole on the roll bar and then tighten the bolt.
NOTE: The mount can be adjusted up and down to be sure the rack lands flat on the surface of the mount.



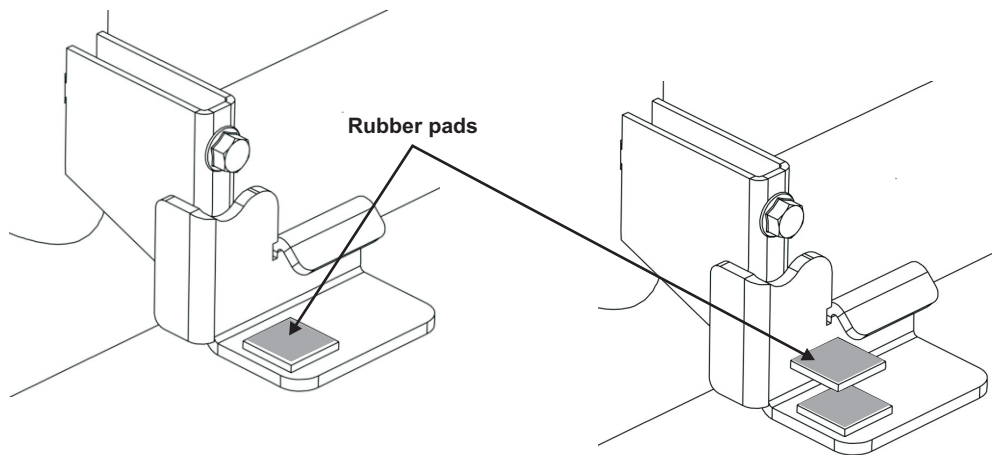
7.

Repeat for passenger side

Operation:



Adjusting the rack:



Rattles and shakes:

If the rack makes noise use the rubber pads included to adjust tension on the rack latch. The latch should be tight in the mounting area when closed and will compress the rubber pads to keep tension on the latch assembly. Add pads to adjust tension. It may also be helpful to adjust the height of the roll bar latch mount on each side to be sure the load is even on both sides of the rack.

Warranty Information

Rampage products, Inc. warrants to the original purchaser of any product it manufactures, will be free of defects in material or workmanship for a period of 1 year from date of purchase unless otherwise stated. Such obligations under this warranty shall be limited to the repair or replacement, at Rampage products discretion, of any assembly or parts which, upon examination by Rampage products, Inc. proves to be defective. All defective items must be returned with proof of purchase to Rampage products, Inc., freight prepaid. This warranty does not cover damage resulting from abuse, misuse, alteration, accident or damage in transit. Rampage products obligations under this warranty are limited to the aforementioned repair or replacement of warranty defects for which the return authorization has been received during the warranty period, and Rampage products, Inc. shall not be liable for any incidental or consequential damages arising from breach of this or any implied warranty.