



## Installation Instructions

2004 - 08 F150 Super Cab and  
Super Crew 4 door

216, 2166, 226, 2266

### Parts List:

#### To attach Mounting Brackets to the Truck:

1 Right (Passenger) Front Mounting Bracket  
1 Left (Driver) Front Mounting Bracket  
1 Right (Passenger) Rear Mounting Bracket  
1 Left (Driver) Rear Mounting Bracket

16-8mm Body Bolts  
24-8mm Flat Washers  
8-8mm Threaded Pinch Clips  
8-8mm Nuts  
16-8mm Lock Washers

#### To attach Tube Steps to the Mounting Brackets:

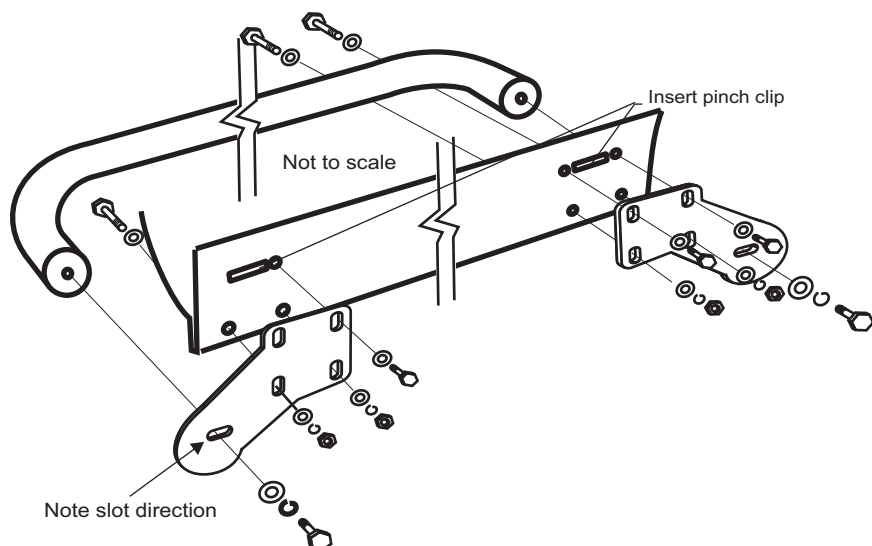
2- Tube Steps    4-12mm Bar Bolts    4-12mm Lock Washers    4-12mm Flat Washers

### Installation:

1. Split parts into two equal allocations. One for passenger side (right) and one for driver side (left).
2. Locate factory pre-drilled locations on the underside of the body above pinch weld and along pinch weld. In some cases, the holes and slots may be covered with tape or have rubber plugs that will need to be removed. Note the foremost and rearmost mounting locations.
3. Locate factory pre-drilled holes and horizontal slots above pinch weld mounting locations and insert two 8mm pinch clips in foremost slots and slide over factory pre-drilled round holes. Now insert two 8mm pinch clips in the rearmost slot and slide over two rearmost factory pre-drilled holes.
4. Line up front and rear mounting brackets one at a time to pinch weld holes as shown in illustration and secure with (8) 8mm bolts, (16) 8mm flat washers (use one on inside and one on outside); and (8) 8mm lock washers against 8mm nuts. NOTE: Bracket for Front Driver Side must be attached and tightened before lower pinch weld bolts can be installed and tightened in order for a secure fit of front bracket. The 8mm nuts should be mounted on the top of the pinch weld surface so they are not visible on the outside of the vehicle. Hand tighten only.
5. Insert remaining 8 mm bolts and flat washers into pre-drilled holes on upper portion of mounting brackets and into the pinch clips previously installed in step 2. Hand tighten only.
6. Line up Tube Step ends to front and rear mounting brackets and secure by inserting 12 mm bolts(18mm Head) and 12 mm flat washers provided. Secure with 12 mm lock washer against bolt head. Hand tighten only.
7. After insuring that all parts are properly aligned and tube is level, tighten all bolts. Recommended torque for 12mm bolts is 65ft-lbs, 10mm bolts is 30ft-lbs, 8mm bolts to 30ft-lbs and re-tighten factory body mount bolts to 45ft-lbs.

### Please Note:

Some hardware kits include extra parts that may not be used in your install. Follow the instructions carefully and ensure you use all the necessary components, if there are spare parts please disregard them.



Rampage Products 9225 Stellar Ct Unit "C" Corona, CA 92883

Phone: (951) 277-4949 Fax: (951) 277-2295

www.rampageproducts.com

RAM081110