



## **Installation Instructions**

### **High Endurance Tube Steps with Pads**

**Part No's 106, 107, 972, 14106, 1066 1076, 9726, 16106**

All Chevy/GMC Silverado/Sierra and HD Series Trucks, 2dr/ 4dr Ext Cab 99-up, All Chevy/GMC Silverado/Sierra Series Trucks 2dr/4dr Crew Cab 01-up, All Suburban and Avalanche, 00-up

#### **2-Tube Steps**

**2-Front Mounting Brackets**

**2-Center Mounting Brackets**

**2 Rear Mounting Brackets**

**4-12mm Bar Bolts (18MM head)**

**2-10mm Bolts (Center Brackets) \* 8mm on some applications**

**2-10mm Lock Washers (Center Brackets) \* 8mm on some applications**

**2-10mm Flat Washers (Center Brackets) \* 8mm on some applications**

**6-12mm (18mm Head) Body Bolts\* Use only 4-12mm Body Bolts for 2 dr. models**

**10-12mm Lock Washers**

**10-12mm Flat Washers**

**NOTE:** Standard and Extended Cab vehicles mount using only front and rear brackets.

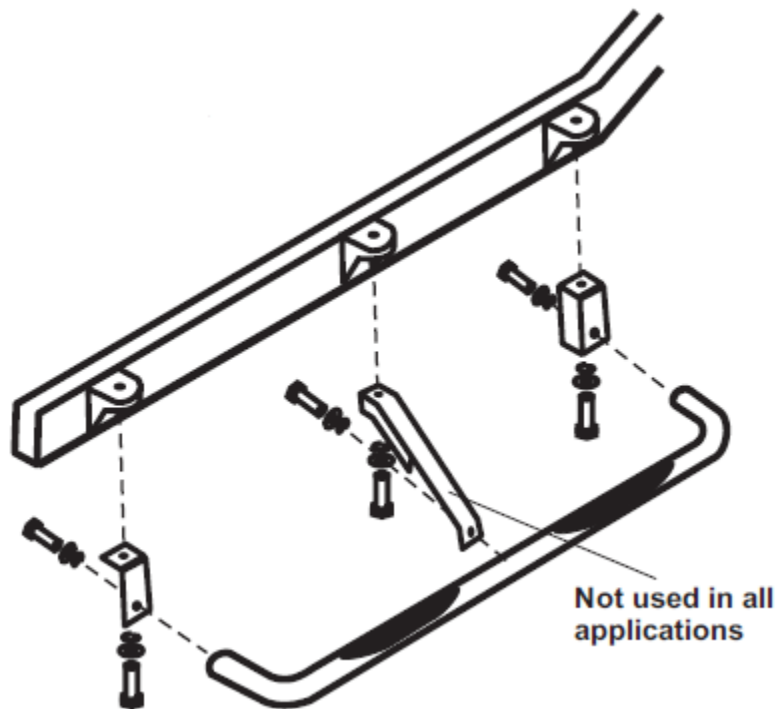
**NOTE:** Some hardware kits include extra parts that may not be used in your install. Follow the instructions carefully and ensure you use all the necessary components, if there are spare parts please disregard them.

#### **Installation:**

1. Split parts into two equal allocations. One group for passenger side and one for driver side.
2. Locate and remove driver side front body mount bolt located under cab of truck. Install front mounting bracket using 12mm x 4.75" long body bolt (18MM Head), 12mm flat washers and 12mm lock washers as provided. Hand Tighten only. (Important note: leave factory washers and bushings in place). **Please Note: 2006 and newer models, reuse existing factory bolts.**
3. Repeat step 2 to install rear bracket. Hand Tighten only. Repeat step 2 again to install center bracket. Hand Tighten only. **This step is necessary only for Crew Cab and XL applications.** Standard and Extended Cab vehicles mount using only front and rear brackets.
4. Install High Endurance tube steps into front and rear mounting brackets using 12mm (18mm Head) bolts and 12mm flat washers provided with 12mm lock washer against bolt head. Hand tighten only

5. Install center bracket to tube step using 10mm x 1" center bolts. Hand Tighten only.

6. After insuring that all parts are properly aligned and tube is level, tighten all bolts. Recommended torque is 65ft-lbs for 12mm bolts and 30 ft lbs for 10mm bolts.



**Rampage Products 9225 Stellar Court, Unit C, Corona, CA 92883**

**Phone: (951) 277-4949 Fax: (951) 277-2295**

**e-mail: [info@rampageproducts.net](mailto:info@rampageproducts.net)**

**Web: [www.rampageproducts.net](http://www.rampageproducts.net)**

*Made in China*