

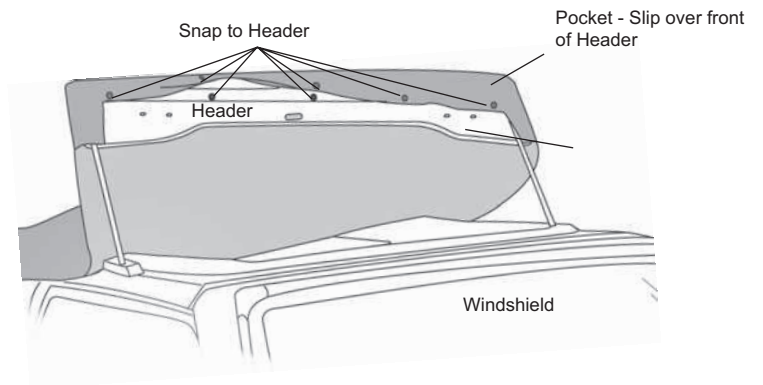


**98815 OEM Replacement Top for:
1995 - 1998 Suzuki Sidekick and
Geo Tracker 2 Door.**

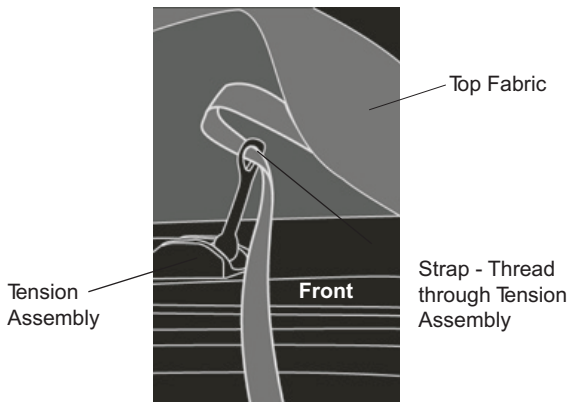
Getting started:

You should first try to pick a warm day above 70 degrees to install the top. Remove it from the box and lay it out in the sun on a soft surface to allow it to soften up and be more flexible during installation.

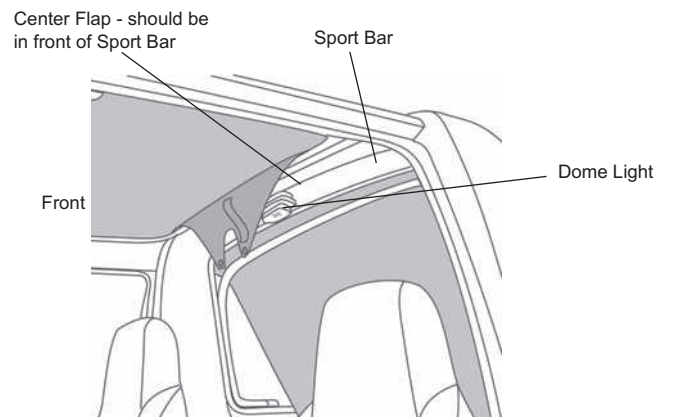
- 1) Slip the front of the top onto the header hardware by slipping it into the pocket on the top. Use the snaps to attach to the header.



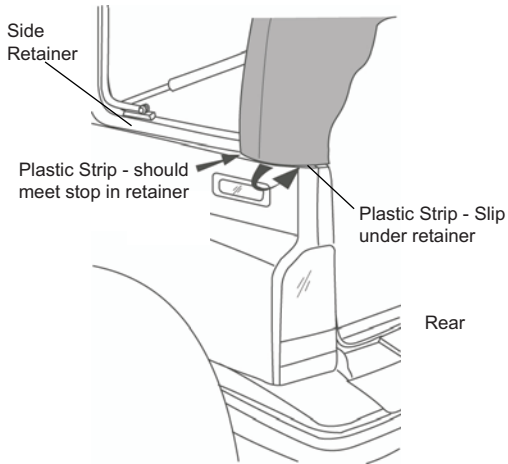
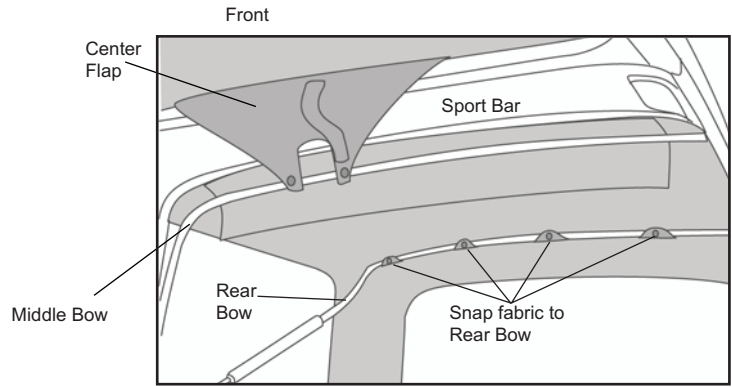
- 2) Thread the tension straps on the top through the tension assembly on the edges of the vehicles top above the doors. **DO NOT SNAP AT THIS**



- 3) Close the header but do not latch yet. Be sure to position the center flap of the top as shown in the illustration. The hook and loop material should be behind the Sport Bar.

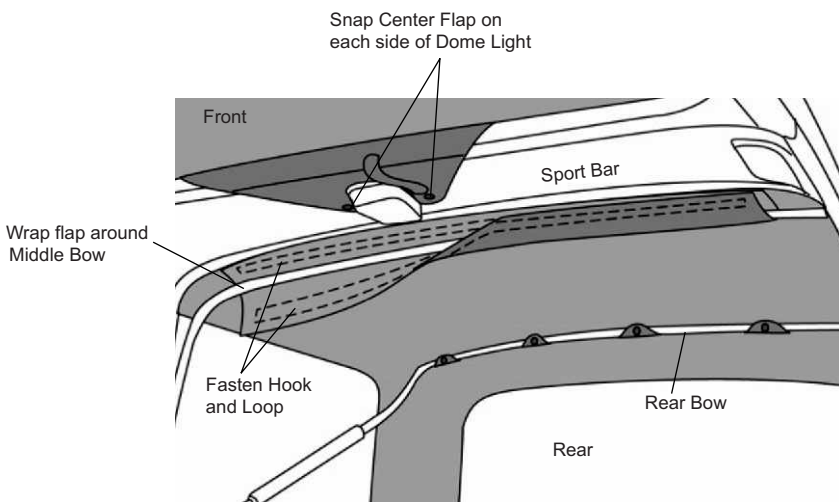
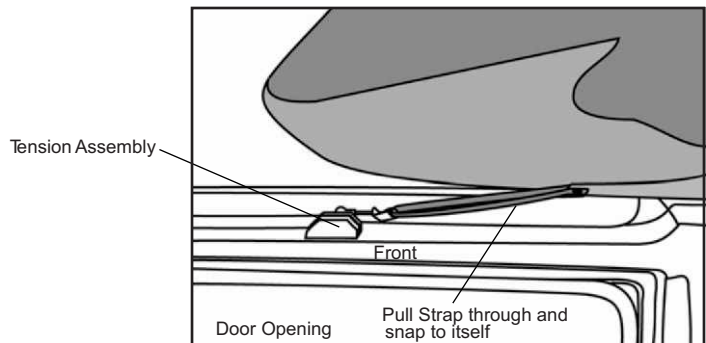


- 4) pull the front of the top with the header back towards the Sport bar. Now pull the middle bow forward against the Sport Bar and then pull the top over the rear bow. Secure with snaps.



- 5) Insert the plastic strip located at the lower rear corners of the top into the retainer on the rear of the vehicle. The front of the strip should rest against the stop in the retainer.

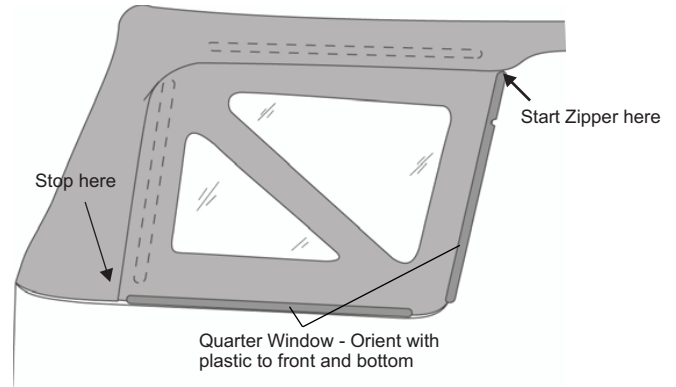
- 6) Pull the tension strap through the tension assembly on the vehicle and secure back to itself.



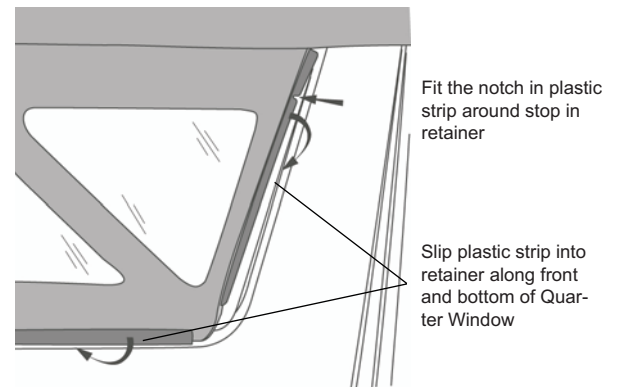
View from inside top - toward rear

- 7) Close the top and fasten the clamps to the header. From inside, snap the center flap to the snaps on either side of the dome light. Wrap the flap around the middle bow and secure with the hook and loop.

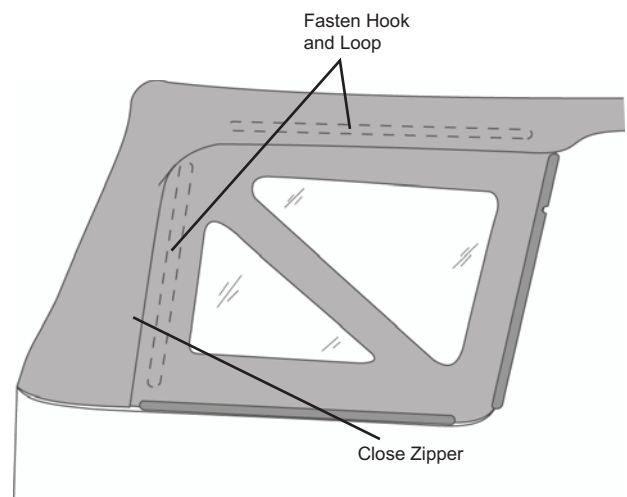
- 8) Install the quarter windows onto the top by zipping from the top front corner. Do not zip the rear portion yet. The plastic strips should be towards the front and along the bottom. The quarter window should fit under the edge of the top. The rear of the quarter window should fit over the top as shown.



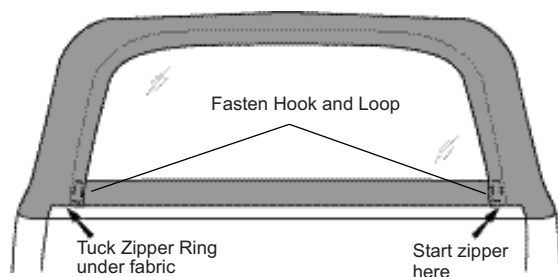
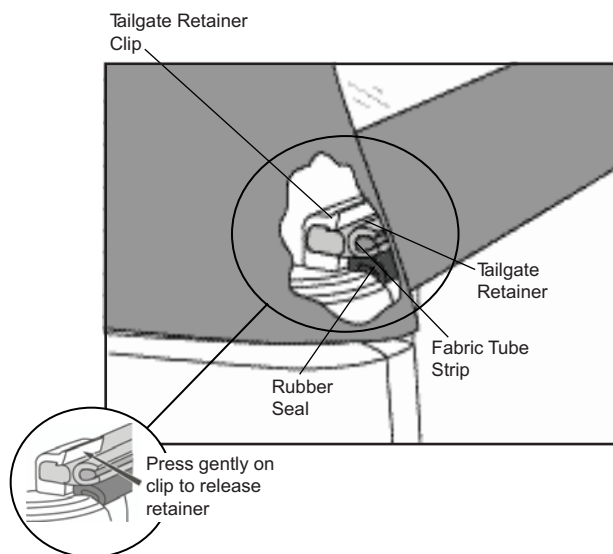
- 9) Slip the plastic material sewn on the quarter windows into the plastic retainer on the vehicle. Note: There is a stop in the plastic retainer on the vehicle and a notch for the stop cut out of the front plastic on the quarter window that mates to it. .



- 10) Once the plastic strip is in place along the bottom of the quarter window, pull it towards the rear and finish zipping the window in along the back. Now close the hook and loop material.



- 11) Remove tailgate retainer from old top. Orient the rear panel window side out and with the zipper on top. now insert the fabric tube into the channel on the tailgate retainer.



- 12) Start zipper on the right side and zip closed. Tuck the zipper pull under the fabric to keep it out of the hook and loop. Fasten the hook and loop around the perimeter of the rear panel.

Important Care Instructions:

Convertible tops and accessories require special care if you want to get the maximum usage and enjoyment from them. The following recommendations, if followed carefully, can extend the life of your top or accessory.

Hand wash using a mild non-detergent soap such as ivory. Use a non-abrasive cloth or sponge. Rinse thoroughly.

Do not wash in direct sunlight and avoid automatic car washes

When your top is clean, we recommend using "Ragg Topp" or "303 Protectant" on both the vinyl top and windows. This product contains a sunscreen that helps protect from the sun's damaging rays. Stay away from products containing alcohol, as it will cause the fabric and windows to lose their elasticity, thus reducing the life of your top or accessory. If you are unable to locate "RaggTopp" Please call 1-800-377-4700 for a distributor near you. For "303 Protectant", please call 1-800-223-4303 for a distributor near you.

Direct sunlight and heat are the biggest enemies of the windows. Park in the shade whenever possible. If you must park in the sunlight, rotate the direction that you park every few days so all windows get even exposure.

Our tops are designed so that you may roll up and/or store the rear curtain and side curtains. To prevent scratching of the windows, be sure that windows are completely clean and free of dust particles. Even a little dirt will badly scratch the windows. You may want to use a soft cloth when rolling up or storing your windows. Heat may build up on rolled up windows, so be sure to unroll them frequently. If you roll up the windows at the beginning of summer and leave them, they may be ruined by fall.

Do not open or roll up windows at temperatures below 45 degrees F this could cause them to crack or break.

Warranty Information

Rampage products, Inc. warrants to the original purchaser of any top it manufactures, that the top will be free of defects in material or workmanship for a period of 1 year from date of purchase. Such obligations under this warranty shall be limited to the repair or replacement, at Rampage products discretion, of any assembly or parts which, upon examination by Rampage products, Inc. proves to be defective. All defective items must be returned with proof of purchase to Rampage products, Inc., freight prepaid. This warranty does not cover damage resulting from abuse, misuse, alteration, accident or damage in transit. Rampage products obligations under this warranty are limited to the aforementioned repair or replacement of warranty defects for which the return authorization has been received during the warranty period, and Rampage products, Inc. shall not be liable for any incidental or consequential damages arising from breach of this or any implied warranty.

Rampage Products 9225 Stellar Ct. Ste "C", Corona, CA 92883 Phone: (951) 277-4949 Fax: (951) 277-2295

www.rampageproducts.net

Made in China